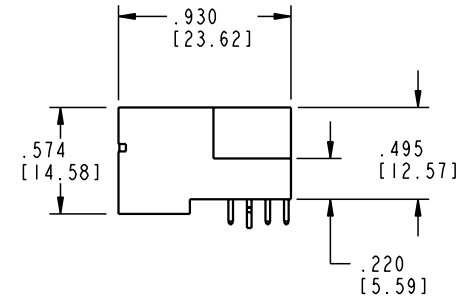
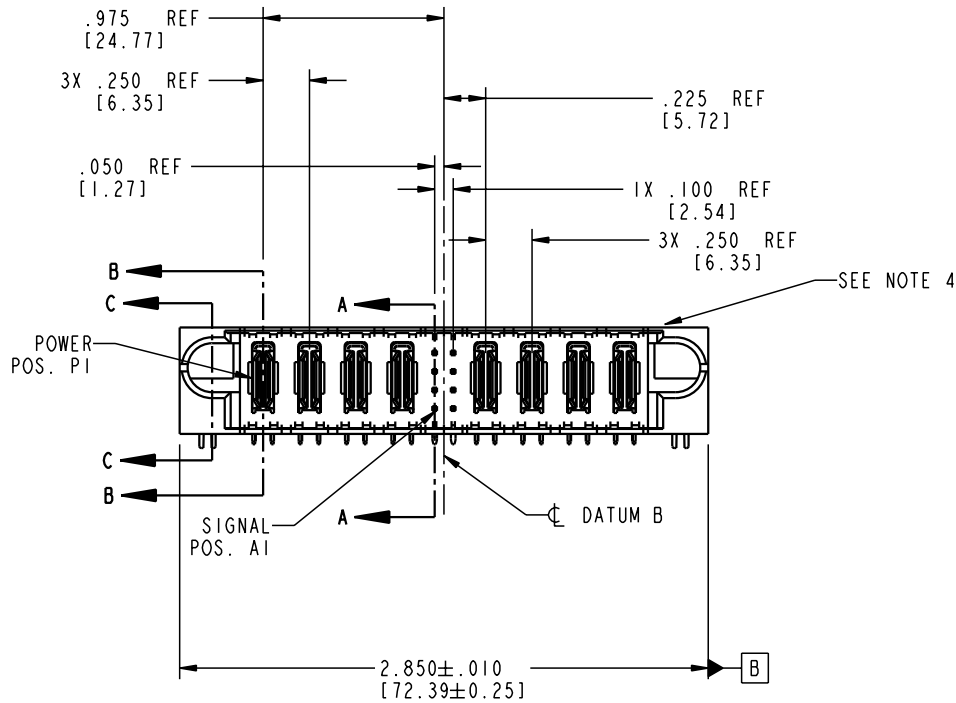


Tous droits strictement réservés. Reproduction ou communication à des tiers interdite sous quelque forme que ce soit sans autorisation écrite du propriétaire. Propriété de c FCI. Droits de reproduction FCI.

All rights strictly reserved. Reproduction or issue to third parties in any form, whatever is not permitted without written authority from the proprietor. Property of FCI. Copyright FCI.

PRODUCT NO.	ROWS	POWER				S.	POWER						
		E1	P1	P2	P3	P4	1	2	P5	P6	P7	P8	E2
51720-10400804AA	D C B A	HA	PA	PA	PA	PA	8S	8S	PA	PA	PA	PA	HA



CODE	DIM "M" MATING LENGTH	CONTACT TYPE
U	.270 [6.86]	SIGNAL
T	.270 [6.86]	SIGNAL
S	.270 [6.86]	SIGNAL
R	.270 [6.86]	SIGNAL
PA	N/A [N/A]	POWER
HA	N/A [N/A]	HOLD-DOWN

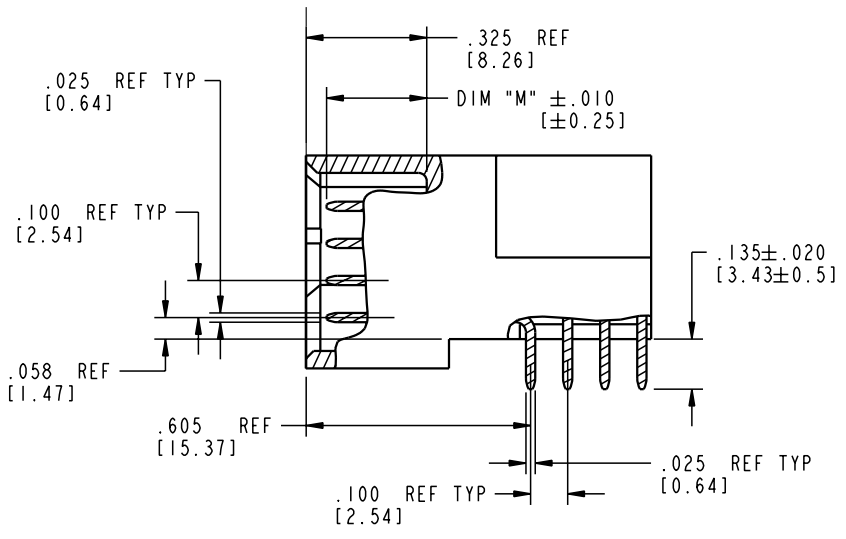
mat'l code				SEE NOTE 2	tolerances unless otherwise specified		CUSTOMER	 www.fciconnect.com
lfr	ecr no.	dr	date	linear	.XX±.01/0.X±0.3	COPY	 projection	
A	V03-0859	MEM	8/4/03	angles	.XXX±.005/0.XX±0.13	INCH/MM		title
				dr	.XXX±.0020/0.XXX±0.051	scale	4P + 8S + 4P	
				enr	0°±2°	1:1	RIGHT ANGLE SOLDER HEADER	
				chr	M. MOSTOLLER 8/4/03		product family	
				appd	M. MOSTOLLER 8/4/03		PwrBlade	
							code	
sheet index	revision sheet	A	A	A	A		213	
		1	2	3	4		sheet of 4	

cage code 22526

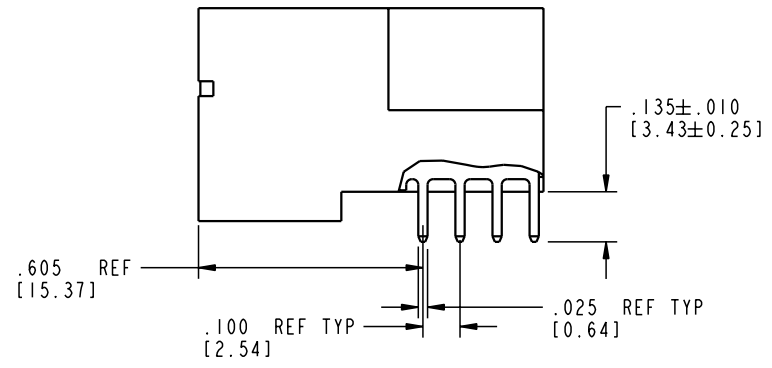
Tous droits strictement réservés. Reproduction ou communication à des tiers interdite sous quelque forme que ce soit sans autorisation écrite du propriétaire. Propriété de c.FCI. Droits de reproduction FCI.

All rights strictly reserved. Reproduction or issue to third parties in any form whatever is not permitted without written authority from the proprietor. Property of FCI. Copyright FCI.

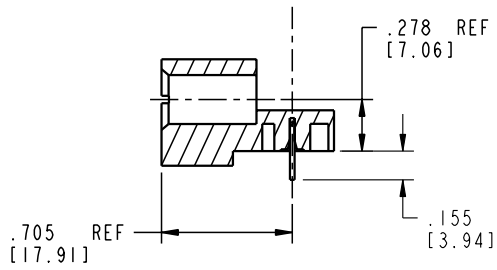
PRODUCT NUMBER
51720-10400804AA



BROKEN-OUT SECTION A-A
SCALE 2:1



BROKEN-OUT SECTION B-B
SCALE 2:1



SECTION C-C

mat'l code		SEE NOTE 2		tolerances unless otherwise specified		CUSTOMER		 www.fciconnect.com	
lfr	ecr no.	dr	date	linear	XX±.01/0.X±0.3	COPY		title	
A					.XXX±.005/0.XX±0.13	projection		4P + 8S + 4P	
				angles	.XXX±.0020/0.XXX±0.051			RIGHT ANGLE SOLDER HEADER	
				dr	0° ± 2°	INCH/MM		product family	
				enr	M. MOSTOLLER 8/4/03	scale		PwrBlade	
				chr	M. MOSTOLLER 8/4/03	1:1		code	
				appd	M. BREWBAKER 8/4/03			213	
					M. MOSTOLLER 8/4/03			sheet	
sheet index		revision sheet						2 of 4	

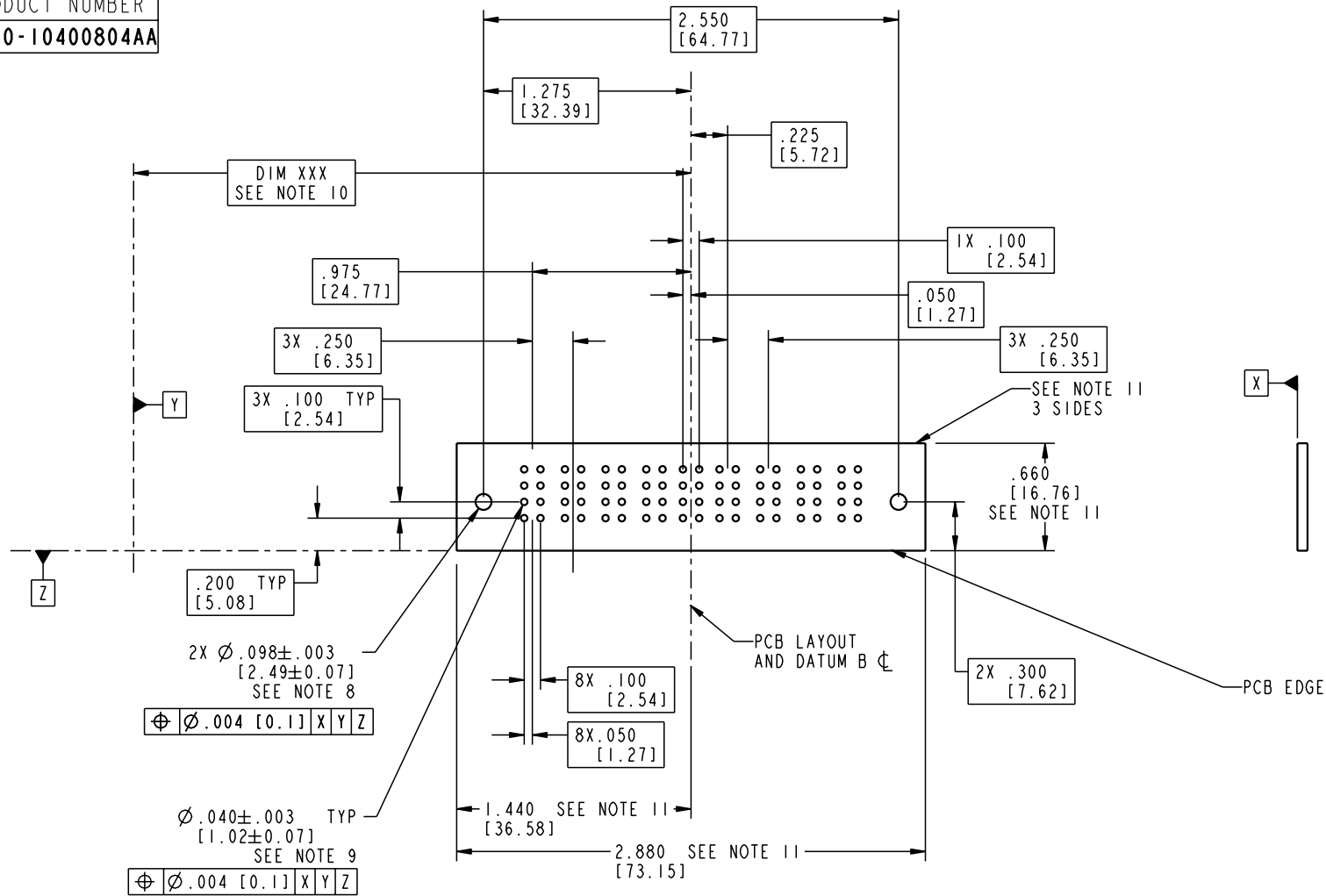
cage code 22526

Pro/E

Tous droits strictement réservés. Reproduction ou communication à des tiers interdite sous quelque forme que ce soit sans autorisation écrite du propriétaire. Propriété de c FCI. Droits de reproduction FCI.

All rights strictly reserved. Reproduction or issue to third parties in any form, whatever is not permitted without written authority from the proprietor. Property of FCI. Copyright FCI.

PRODUCT NUMBER
51720-10400804AA



RECOMMENDED PCB LAYOUT

mat'l code				SEE NOTE 2	tolerances unless otherwise specified	CUSTOMER	 www.fciconnect.com	
lfr	ecr no.	dr	date	linear	XX±.01/0.X±0.3	COPY	title	
A				angles	.XXX±.005/0.XX±0.13	projection	4P + 8S + 4P	
				dr	.XXX±.0020/0.XXX±0.051	INCH/MM	RIGHT ANGLE SOLDER HEADER	
				enr	0° ± 2°	scale	product family	code
				chr	M. MOSTOLLER 8/4/03	1:1	PwrBlade	213
				appd	M. MOSTOLLER 8/4/03		size	sheet
					M. BREWBAKER 8/4/03		dwg no	3 of 4
					M. MOSTOLLER 8/4/03		A	51720-10400804AA
sheet index	revision sheet							

cage code 22526

Pro/E

Tous droits strictement réservés. Reproduction ou communication à des tiers interdite sous quelque forme que ce soit sans autorisation écrite du propriétaire. Propriété de c FCI. Droits de reproduction FCI.



All rights strictly reserved. Reproduction or issue to third parties in any form whatever is not permitted without written authority from the proprietor. Property of FCI. Copyright FCI.

1 | 2

3 |

4

PRODUCT NUMBER
51720-10400804AA

NOTES:

1. DIMENSIONS AND TOLERANCES ARE IN ACCORDANCE WITH ASME Y14.5M, 1994 UNLESS OTHERWISE SPECIFIED.

CONNECTOR NOTES:

- 2. HOUSING MATERIAL: UL 94 V-0 GLASS FILLED
HIGH-TEMP THERMOPLASTIC
POWER CONTACT MATERIAL: COPPER ALLOY
SIGNAL PIN MATERIAL: COPPER ALLOY
- 3. PLATING:
SIGNAL PINS: 30u"/0.76um Au OVER 50u"/1.27um Ni
POWER CONTACTS: 50u"/1.27um Ni UNDER ALL
WITH 30u"/0.76um Au ON CONTACT AREA
AND SnPb ON PCB INTERFACE
- 4. MANUFACTURER'S NAME, P/N, AND DATE CODE TO APPEAR ON THIS SURFACE.
- 5. PRODUCT SPECIFICATION GS-12-149.
APPLICATION SPECIFICATION BUS-20-067.
- 6. PACKAGED IN TRAYS.
PCB NOTES:
7. ALL HOLE DIAMETERS ARE FINISHED HOLE SIZE.
- 8. MOUNTING HOLES, WHERE APPLICABLE, ARE UNPLATED.
- 9. $\varnothing .0453 \pm .0010$ [1.151 \pm 0.025] DRILLED HOLES PLATED WITH .0003 [0.008] MIN SnPb OVER .001 [0.03] TO .003 [0.08] Cu PLATING TO ACHIEVE $\varnothing .040 \pm .003$ [1.02 \pm .07] HOLE.
- 10. "DIM XXX" TO BE DETERMINED BY THE CUSTOMER.
- 11. CONNECTOR KEEP-OUT ZONE.

mat'l code		SEE NOTE 2		tolerances unless otherwise specified		CUSTOMER		www.fciconnect.com	
lfr	ecn no.	dr	date	linear	.XX±.01/0.X±0.3	COPY			
A				linear	.XXX±.005/0.XX±0.13	projection		title 4P + 8S + 4P	
				linear	.XXX±.0020/0.XXX±0.051			RIGHT ANGLE SOLDER HEADER	
				angles	0° ± 2°			product family PwrBlade code 213	
				dr	M. MOSTOLLER 8/4/03	scale		size dwg no 4 of 4	
				enrg	M. MOSTOLLER 8/4/03	1:1		sheet 4 of 4	
				chr	H. BREWBAKER 8/4/03			A 51720-10400804AA	
				appd	M. MOSTOLLER 8/4/03				
sheet index	revision sheet								

1 | 2

Pro/E

3 |

cage code 22526

4